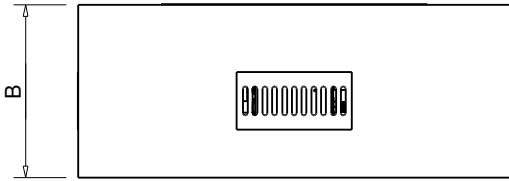
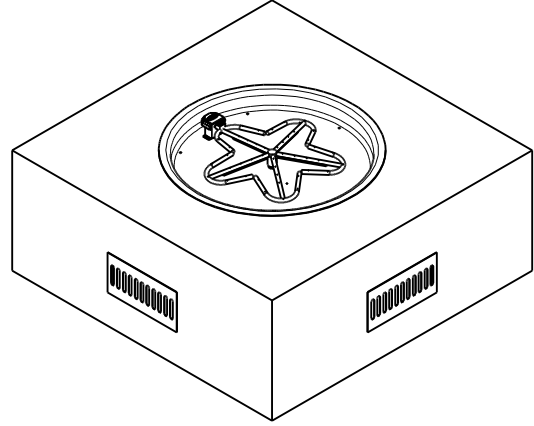
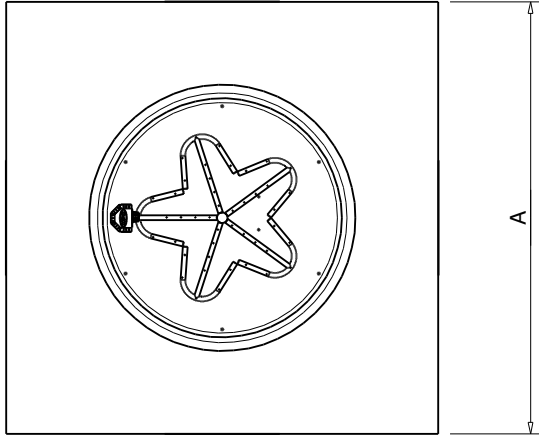


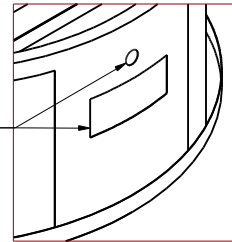


**Hearth Products Controls Co**  
**FIRE PIT INSERT CSA CERTIFIED-OUTDOOR USE ONLY**  
**FOR COMMERCIAL AND RESIDENTIAL USE**

HEARTH PRODUCTS CONTROLS  
 2225 LYONS RD.  
 MIAMISBURG, OH 45342  
 TOLL FREE: 877.585.9800  
 PHONE: 937.436.9800  
 www.hpcfire.com



FRAME IS PRE-CUT FOR FPPK OR MLFPK BUT NOT HARDIBOARD



ELECTRONIC IGNITION (EI)					
PART NUMBERS	STND BTU	DIMENSION CHART		POWER	INSERT
		A"	B"		
U45S/25SSCEK	125K	45	18	120VAC OR 24VAC	PENTA25EI
PUSH BUTTON/FLAME SENSING (FPPK)					
PART NUMBERS	STND BTU	DIMENSION CHART		POWER	INSERT
		A"	B"		
U45S/FPPK25CEK	90K	45	18	AA BATTERY	PENTA25FPPK
MATCH LIT (MLFPK)					
PART NUMBERS	STND BTU	DIMENSION CHART		POWER	INSERT
		A"	B"		
U45S/MLFPK25CEK	65K	45	18	-	PENTA25MLFPK

**EI MODELS INCLUDE:** ENCLOSURE, FULLY ASSEMBLED INSERT, INPUT FLEX LINE AND INSTRUCTIONS

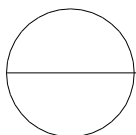
**FPPK MODELS INCLUDE:** ENCLOSURE, FULLY ASSEMBLED INSERT, MOUNTING SLEEVE AND INSTRUCTIONS

**MLFPK MODELS INCLUDE:** ENCLOSURE, FULLY ASSEMBLED INSERT AND INSTRUCTIONS

**INSERT:** 25" BOWL PAN, 18" PENTA BURNER

Notes:

1. CONSTRUCTION - 22 GAUGE GALVANIZED STEEL WELDED FRAME AND 1/2" HARDIBOARD SHELL AND WEIGHS 150 LBS.
2. ALL ENCLOSURES INCLUDE REQUIRED 4 each 18 SQ/IN VENTS ON OPPOSING SIDES. ADEQUATE DRAINAGE IS NEEDED.
2. FOLLOW ALL MANUFACTURER INSTALLATION INSTRUCTIONS AND LOCAL CODES.
3. ALL DIMENSIONS ARE CONSIDERED TRUE AND REFLECT MANUFACTURER'S SPECIFICATIONS AS OF THE REVISION DATE.
4. DO NOT SCALE DRAWING.
5. THESE DRAWINGS ARE FOR SIZING AND PLANNING PURPOSES. ALL INFORMATION CONTAINED HEREIN WAS CURRENT AT THE TIME OF DEVELOPMENT. THE MANUFACTURER'S RESPONSIBLE FOR THE ACCURACY OF THE DRAWING.
6. CONTRACTOR'S NOTE: FOR PRODUCT AND COMPANY INFORMATION VISIT [www.CADdetails.com/info](http://www.CADdetails.com/info) REFERENCE NUMBER 771-063.



**READY TO FINISH SERIES**  
**SQUARE ENCLOSURE**