



FIRE INSPIRED®

Hearth Products Controls Co
OUTDOOR USE ONLY

FOR COMMERCIAL AND RESIDENTIAL USE

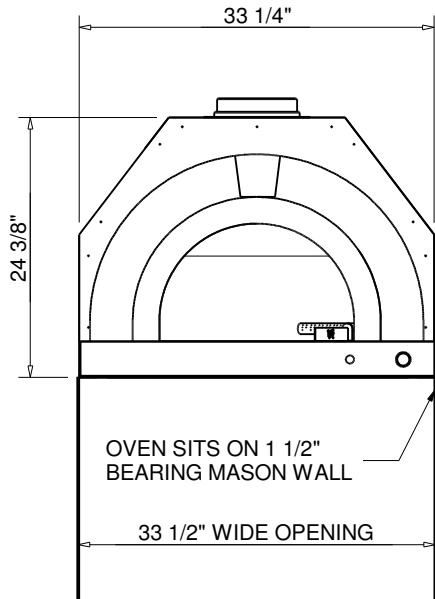
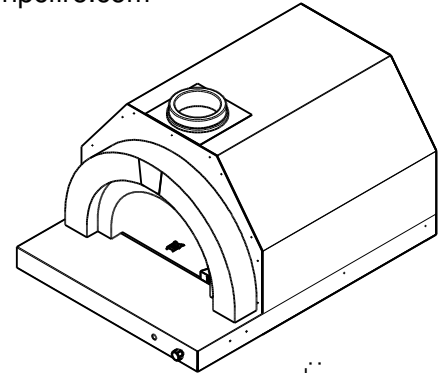
HEARTH PRODUCTS CONTROLS
2225 LYONS RD.
MIAMISBURG, OH 45342
TOLL FREE: 877.585.9800
PHONE: 937.436.9800
www.hpcfire.com

DiNapoli SERIES

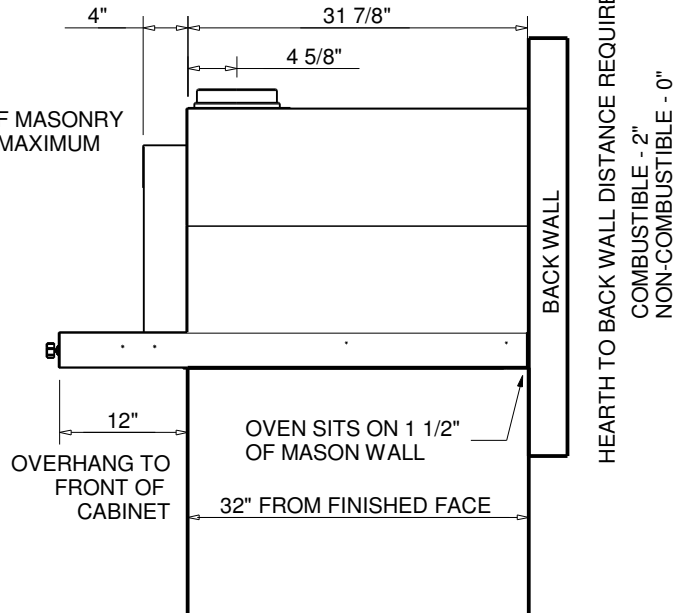
SPECIFICATIONS:

1. HYBRID - OFFERS BOTH GAS AND WOOD BURNING
2. ELECTRONIC IGNITION
 - 120VAC OR BATTERY OPERATED
3. 304 STAINLESS STEEL STRUCTURE HEARTH
4. COMPLETE ENCLOSED OVEN
5. MULTI-PURPOSE
 - SMOKER
 - OVEN
 - PIZZA

6. UNIQUE VENT DESIGN
 - SLEEK DESIGN
 - RETAINS MORE HEAT
7. OPTION: LP OR NG GAS
8. 10 DIFFERENT OPTIONAL ACCESSORIES
 - SEE WEBSITE OR CATALOG



NOTE:
MINIMUM WIDTH OF MASONRY
33 1/2" WITH NO MAXIMUM



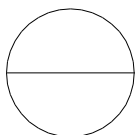
MODEL NUMBER
FDP-DiNapoli/RTF-EI

Notes:

1. GAS SUPPLY - FOR USE WITH FIXED PIPING SYSTEMS OR FOR USE WITH SMALL TANKS UP TO 90K.
 - Natural Gas: Operating Supply Pressure: Minimum: 6.0" W.C.; Maximum: 7.0" W.C.
 - LP Gas: Operating Supply Pressure: Minimum: 10.0" W.C.; Maximum: 11.0" W.C..

IMPORTANT: Ensure any flex line that may be used from the permanent main fuel supply to the product is rated to the stated max btu of the product and certified to ANSI Z21.75/CSA 6.27.

2. MODIFICATION OF PRODUCT WILL VOID ANY CERTIFICATION AND WARRANTY.
3. FOLLOW ALL MANUFACTURER INSTALLATION INSTRUCTIONS AND LOCAL CODES.
4. ALL DIMENSIONS ARE CONSIDERED TRUE AND REFLECT MANUFACTURER'S SPECIFICATIONS AS OF THE REVISION DATE.
5. DO NOT SCALE DRAWING.
6. THESE DRAWINGS ARE FOR SIZING AND PLANNING PURPOSES. ALL INFORMATION CONTAINED HEREIN WAS CURRENT AT THE TIME OF DEVELOPMENT. THE MANUFACTURER'S RESPONSIBLE FOR THE ACCURACY OF THE DRAWING.



HPC HYBRID OVEN - DiNapoli SERIES

OVEN WITH ENCLOSURE - STAINLESS STEEL HEARTH - CHIMNEY - REFRACTORY ARCH