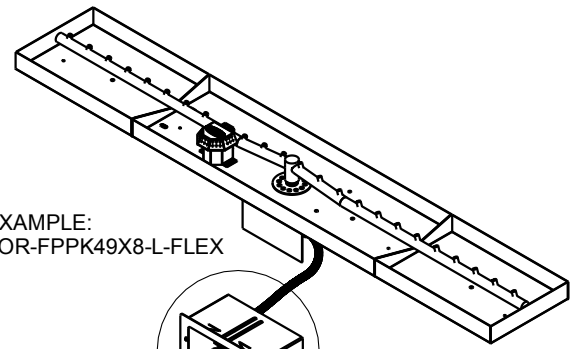
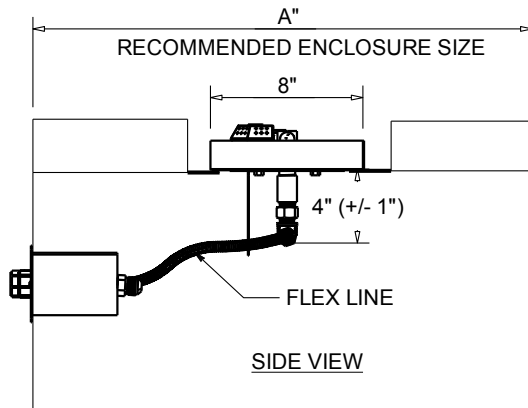




FIRE INSPIRED[®]

**CSA CERTIFIED-OUTDOOR USE ONLY
FOR COMMERCIAL AND RESIDENTIAL USE**

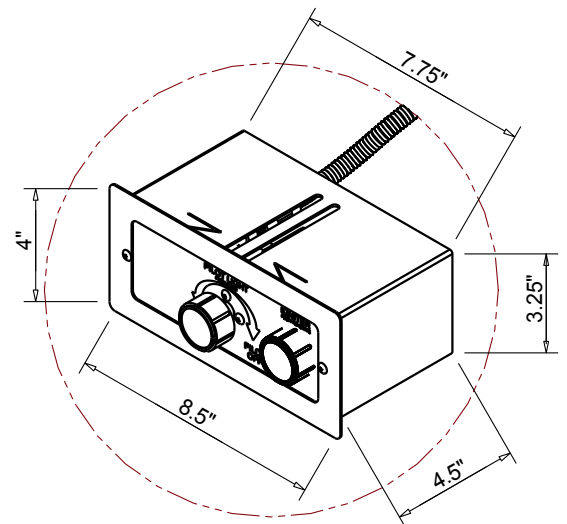
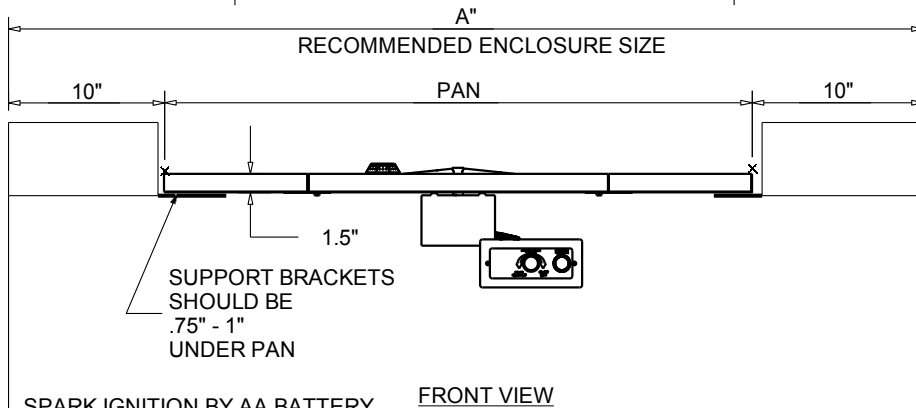
HEARTH PRODUCTS CONTROLS
2225 LYONS RD.
MIAMISBURG, OH 45342
TOLL FREE: 877.585.9800
PHONE: 937.436.9800
www.hpcfire.com



EXAMPLE:
TOR-FPPK49X8-L-FLEX

ISOMETRIC VIEW

VALVE BOX DETAIL



VALVE BOX DETAIL

SPARK IGNITION BY AA BATTERY
MATERIAL: 304 STAINLESS STEEL

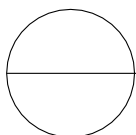
FRONT VIEW

*FOR TORPEDO BURNERS ADD TOR-

PART NUMBER	PAN	DIMENSION CHART			
		STANDARD BTU		A"	STND FLEX LINE LENGTH
		PENTA	TORPEDO		
TOR- FPPK25X8-L-FLEX	25"	50K	75K	45LX24W	36"
TOR- FPPK37X8-L-FLEX	37"	75K	115K	57LX24W	36"
TOR- FPPK49X8-L-FLEX	49"	90K	150K	69LX24W	36"
TOR- FPPK61X8-L-FLEX	61"	90K	175K	81LX24W	36"
TOR- FPPK73X8-L-FLEX	73"	140K	200K	93LX24W	36"
TOR- FPPK97X8-L-FLEX	97"	140K	250K	117LX24W	36"

Notes:

1. PROPER VENTING
 - ENCLOSURES: Recommend 4 each 18 sq.in. vents on opposing sides (Minimum 2 each 18 sq.in. vents).
 2. GAS SUPPLY - FOR USE WITH FIXED PIPING SYSTEMS OR FOR USE WITH SMALL TANKS UP TO 90K.
 - Natural Gas: Operating Supply Pressure: Minimum: 6.0" W.C.; Maximum: 7.0" W.C.
 - LP Gas: Operating Supply Pressure: Minimum: 10.0" W.C.; Maximum: 11.0" W.C.
- IMPORTANT: Ensure any flex line that may be used from the permanent main fuel supply to the product is rated to the stated max btu of the product and certified to ANSI Z21.75*CSA 6.27.
5. MODIFICATION OF PRODUCT WILL VOID ANY CERTIFICATION AND WARRANTY.
 6. FOLLOW ALL MANUFACTURER INSTALLATION INSTRUCTIONS AND LOCAL CODES.
 7. ALL DIMENSIONS ARE CONSIDERED TRUE AND REFLECT MANUFACTURER'S SPECIFICATIONS AS OF THE REVISION DATE.
 8. DO NOT SCALE DRAWING.
 9. THESE DRAWINGS ARE FOR SIZING AND PLANNING PURPOSES. ALL INFORMATION CONTAINED HEREIN WAS CURRENT AT THE TIME OF DEVELOPMENT. THE MANUFACTURER'S RESPONSIBLE FOR THE ACCURACY OF THE DRAWING.
 10. CONTRACTOR'S NOTE: FOR PRODUCT AND COMPANY INFORMATION VISIT www.CADdetails.com/info
REFERENCE NUMBER 771-027.



PUSH BUTTON/FLAME SENSING FIRE PIT INSERT - WITH FLEX LINE

LINEAR PAN - FPPK