



EON-DC-02 Programmable Fireplace Remote Control Installation and Operation Instructions:

The Acumen EON-DC-02 Programmable Remote Control is designed for use with gas fireplace and stoves using a millivolt valve.

The EON-DC-02 Transmitter is a six-button Wall Mount transmitter, which is used as a programmable thermostat to turn the gas on and off. The display of the transmitter shows the clock, current room temperature and the low battery indicator.

Installation Precautions:

The EON-DC-02 Programmable Remote Control is tested safe when installed in accordance with this installation manual. It is your responsibility to read all instruction before starting installation and to follow these instructions carefully during installation.

The EON-DC-02 Programmable Remote Control **MUST** be installed by a qualified service technician.

The EON-DC-02 Programmable Remote Control is carefully engineered and **MUST** be installed only as specified. If you modify it or any of its components, you may possibly cause a fire hazard.

FCC Requirements

Warning: Changes or modifications to this unit not expressly approved by the party responsible for compliance could void the user authority to operate the equipment. This equipment has been tested and found to comply with the limits for a Class B digital device, pursuant to Part 15 to the FCC Rules. These limits are designed to provide reasonable protection against harmful interference in a residential installation. This equipment generates, uses, and can radiate radio frequency energy and, if not installed and used in accordance with the instructions, may cause harmful interference to radio communications. However, there is no guarantee that interference will not occur in a particular installation. If this equipment does cause harmful interference to radio or television reception, which can be determined by turning the equipment off and on, the user is encouraged to try to correct the interference by one or more of the following measures:

- Reorient or relocate the receiver antenna.
- Increase the separation between the equipment and receiver.
- Connect the equipment into an outlet on a circuit different from that to which the receiver is connected.
- Consult the dealer or an experienced radio TV technician for help.

Canadian Equipment Requirements

This digital apparatus does not exceed the (class A/Class B)* limits for radio noise emissions from digital apparatus set out in the Radio Interference Regulations of the Canadian Department of Communications. Le présent appareil numérique n'emet pas de bruits radioelectriques dépassant les limites applicables aux appareils numeriques (de la class A/de la class B)* prescrites dans le Reglement sur le brouillage radioelectrique edicte par le ministere des Communications du Canada.

This device complies with RSS-210 of Industry and Science Canada. Operation is subject to the following

two conditions : (1) this device may not cause interference, and (2) this device must accept any interference, including interference that may cause undesired operation of the device.

All wiring should be done by a qualified electrician and shall be in compliance with local codes and with the National Electric Code ANSI/NFPA No. 70-current (In the United States), or with the current CSA C22.1 Canadian Electric Code (in Canada).

1 Installation Instruction

1.1 Installing the Receiver

- 1 Make sure the slide switch on the Remote Receiver is at the OFF position.
- 2 Connect the leads to the millivolt generator and the main burner to the output cable of the Remote Receiver as shown in Figure 1 (or Figure 2 if the optional Emergency Switch is used).

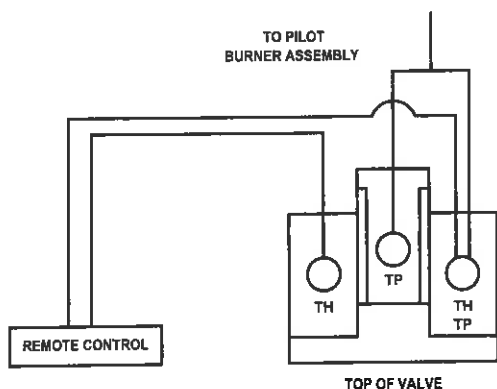


Figure 1

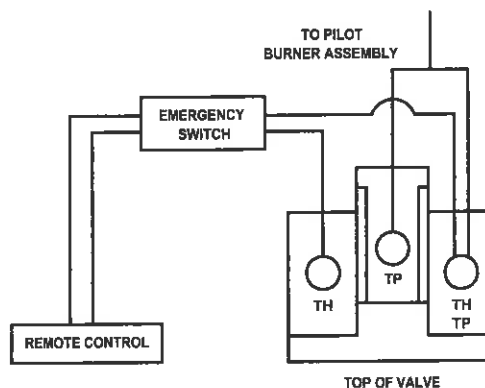


Figure 2

3 Installing the Remote Receiver to a Wall Mount:

- Secure the Remote Receiver to the Wall Mount. See Figure 3.
- Use the screws provided to secure the face plate to the Remote Receiver.

Installation of the Receiver to a Junction Box

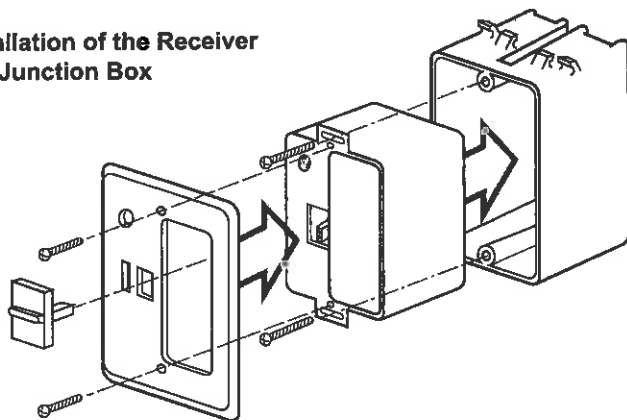


Figure 3

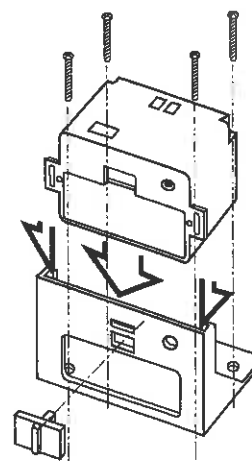


Figure 4

4 Installing the Remote Receiver to a Fireplace:

- Secure the Fireplace Mounting plate to the base pan of the fireplace.
- Slide the Remote Receiver into the fireplace mounting plate. See Figure 4.

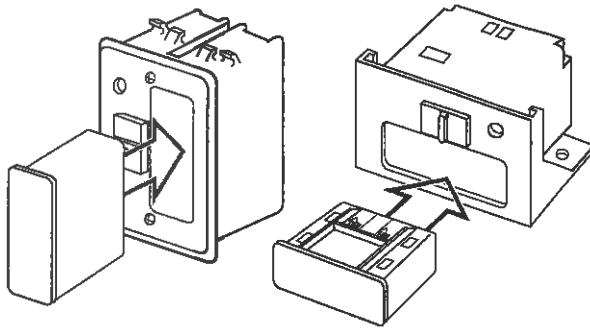


Figure 5

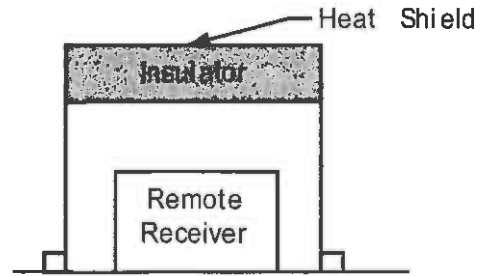


Figure 6

- 5 Put the switch cap to the slide switch.
- 6 Slide the battery compartment into the Remote Receiver. See Figure 5.
- 7 In order to prevent the Remote Receiver (fireplace installation only) from overheating, put a heat shield (option item) above the Remote Receiver. See Figure 6.
- 8 Installing the Mounting Bracket to the Wall: (See Figure 7)
The Remote transmitter can be put into the wall mounting bracket.
 - Drill two vertical holes, in the wall, which diameters are 6 millimeters and the interval is 43.5 millimeters;
 - Press two rubber plugs into the holes;
 - Adjust the mounting bracket and use two screws (M 3.5) provided to secure it.

2.0 Operation Instructions:

2.1 Transmitter Operation

The EON-DC-02 Remote Control has 2 operating modes. They are: System ON and Manual on/off.

2.1.1 Program the Thermostat

- 1 Press the Prog INT button and then use the Up or Down buttons to choose NO and press the Enter button to skip adjusting clock.
- 2 Choose NO again (if necessary) to skip Vacation Override.
- 3 Then Choose YES for programming the thermostat.
- 4 Follow through the instruction at the LCD to program the Thermostat.
- 5 The System will automatically turn ON after you finish programming the thermostat.

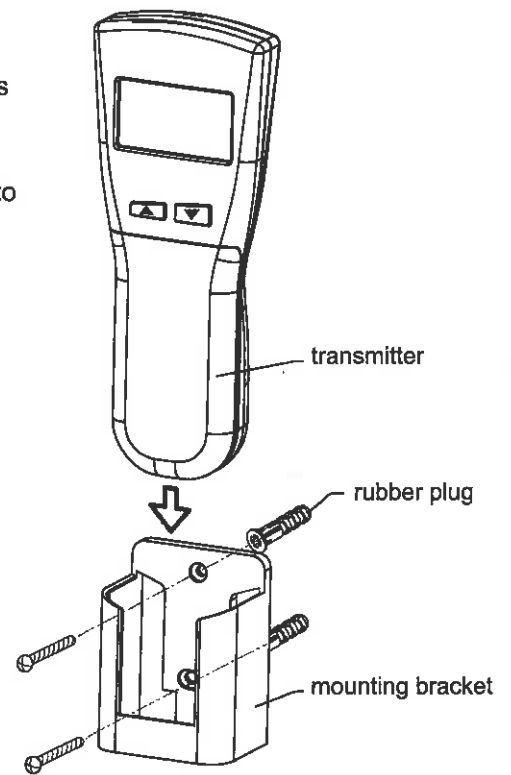


Figure 7

2.1.2 Operation Modes

A. System On:

- 1 Press the PROG ON/OFF button to turn the system On. The Remote Control will automatically adjust the temperature when you are at home, away or sleep according to the program.
- 2 You may also use the Up or Down buttons to change the set temperature if desired.
- 3 Press the PROG ON/OFF button again to turn off the program.

B. Manual Mode:

- 1 Manual Mode can only be activated when the System is off.
- 2 Press the Manual On/Off button once to activate the Manual mode.
- 3 In Manual Mode the Remote Transmitter will automatically turn on the fireplace when the room temperature is below the set temperature and turn off the fireplace when the room temperature is above the target temperature.
- 4 Use the Up or Down buttons to adjust the set temperature.

- 5 Press Manual ON/OFF buttons to turn off the fireplace (if it is already on) and exit Manual Mode.

WARNING: IT TAKES SOME TIME FOR THE RECEIVER TO RESPOND TO THE TRANSMITTER. DO NOT PRESS THE MANUAL ON/OFF BUTTONS MORE THAN ONCE WITH 2 SECONDS FOR CORRECT OPERATION.

CAUTION: THE REMOTE RECEIVER WILL AUTOMATICALLY TURN OFF THE FIREPLACE AFTER SIX HOURS OF UNINTERRUPTED OPERATION. PRESS THE MANUAL ON/OFF BUTTON ON THE REMOTE TRANSMITTER TO RESET THE REMOTE CONTROL, THEN PRESS THE MANUAL ON/OFF BUTTON AGAIN TO RESUME OPERATION.

2.1.3 Vacation Override

- 1 Vacation Override can be activated to **save** energy when you are away. In Vacation Override the Remote Control will maintain the temperature at the "away temperature".
- 2 You can only activate the Vacation Override when the System is On.
- 3 Press the PROG INT button.
- 4 Use the Up and Down buttons to choose NO and then press the Enter button to skip adjusting clock.
- 5 Then Choose YES for Vacation Override.
- 6 Use the Up and Down buttons to set the number of days you are away. Then press the Enter button.
- 7 You can cancel the Vacation Override at anytime. Press the PROG INT button, then use the Up or down buttons to choose YES and press the Enter button to cancel the Vacation Override.

2.1.4. Child-Proof Function :

- 1 A CHILD-PROOF switch is on the back of the Remote Transmitter.
- 2 Slide the CHILD-PROOF switch to position marked C/P to activate the CHILD-PROOF function "C/P" will appear on the LCD. See figure 8.
- 3 In CHILD-PROOF the Remote Transmitter will continue to operate the fireplace, but the buttons will not be operable until C/P is removed.
- 4 Press the Up and Down buttons in the following sequence, Up-Down-Down-Up-Down, within 2 seconds button function will be temporarily restored, "C/P" will disappear from the LCD.
- 5 If no button is pressed within 2 minutes, the Remote Transmitter will return to Child-Proof function and "C/P" will reappear on the LCD.
- 6 To permanently remove C/P, slide the switch back to the other position.

2.1.5 Adjust Clock:

- 1 Press the PROG INT button, use the Up or Down buttons to choose YES then press the Enter button to adjust the clock.
- 2 Follow the instruction displayed on the LCD to adjust the clock.

2.1.6. Power Saving Mode:

- 1 There is a power saving mode in the Remote Transmitter. When "you are away or asleep" the Remote Transmitter will enter power saving mode.
- 2 In the power saving mode the Remote Transmitter will turn off the LCD. However all other functions in the Remote Transmitter will work normally.
- 3 When you press any button on the Remote Transmitter the LCD come back on.
- 4 The Remote Transmitter will go back to power saving mode afterward.
- 5 The Remote Transmitter will exit power saving mode when "you are awake or come back".

2.2 Receiver Operation

The Remote Receiver has 2 operation modes. They are On and Remote modes.

2.2.1. On Mode

- 1 In the On mode the Receiver will turn on the fireplace.
- 2 The Receiver will not respond to the Transmitter and turn the fireplace on and off.
- 3 In the On mode the receiver will not respond to the Remote Transmitter.

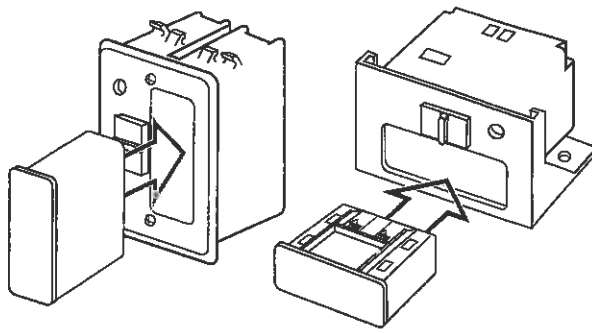


Figure 5

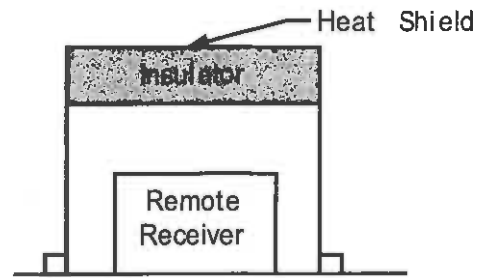


Figure 6

- 5 Put the switch cap to the slide switch.
- 6 Slide the battery compartment into the Remote Receiver. See Figure 5.
- 7 In order to prevent the Remote Receiver (fireplace installation only) from overheating, put a heat shield (option item) above the Remote Receiver. See Figure 6.
- 8 Installing the Mounting Bracket to the Wall: (See Figure 7)
The Remote transmitter can be put into the wall mounting bracket.
 - Drill two vertical holes, in the wall, which diameters are 6 millimeters and the interval is 43.5 millimeters;
 - Press two rubber plugs into the holes;
 - Adjust the mounting bracket and use two screws (M 3.5) provided to secure it.

2.0 Operation Instructions:

2.1 Transmitter Operation

The EON-DC-02 Remote Control has 2 operating modes. They are: System ON and Manual on/off.

2.1.1 Program the Thermostat

- 1 Press the Prog INT button and then use the Up or Down buttons to choose NO and press the Enter button to skip adjusting clock.
- 2 Choose NO again (if necessary) to skip Vacation Override.
- 3 Then Choose YES for programming the thermostat.
- 4 Follow through the instruction at the LCD to program the Thermostat.
- 5 The System will automatically turn ON after you finish programming the thermostat.

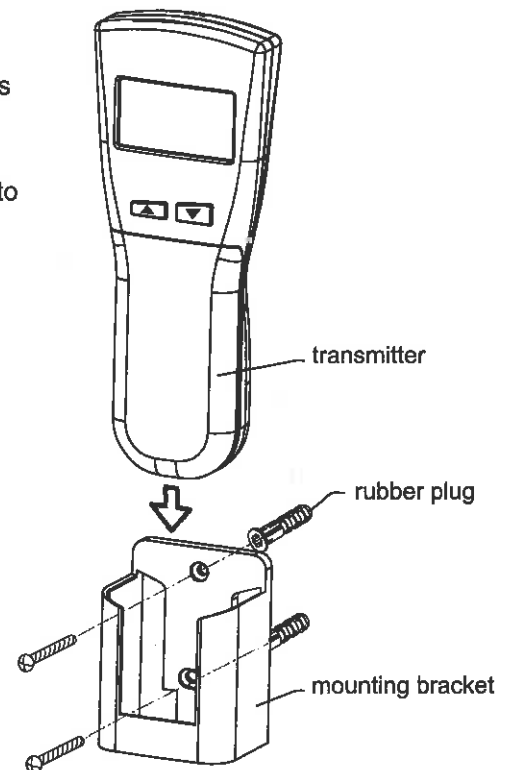


Figure 7

2.1.2 Operation Modes

A. System On:

- 1 Press the PROG ON/OFF button to turn the system On. The Remote Control will automatically adjust the temperature when you are at home, away or sleep according to the program.
- 2 You may also use the Up or Down buttons to change the set temperature if desired.
- 3 Press the PROG ON/OFF button again to turn off the program.

B. Manual Mode:

- 1 Manual Mode can only be activated when the System is off.
- 2 Press the Manual On/Off button once to activate the Manual mode.
- 3 In Manual Mode the Remote Transmitter will automatically turn on the fireplace when the room temperature is below the set temperature and turn off the fireplace when the room temperature is above the target temperature.
- 4 Use the Up or Down buttons to adjust the set temperature.